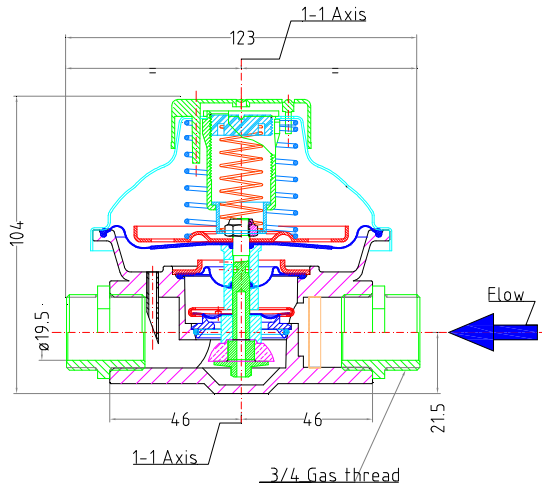


## RG 180° METER SERVICE REGULATOR



### INSTALATION:

- The axis 1 – 1 must always be at right angles to the wall.
- Gas flows as indicated in the figure.

### CONNECTIONS

INLET	OUTLET
$\frac{3}{4}$ " Female BSPT	$\frac{3}{4}$ " Female BSPT
$\frac{3}{4}$ " Female NPT	$\frac{3}{4}$ " Female NPT
$\frac{3}{4}$ " Female Gas	$\frac{3}{4}$ " Female Gas
Consult for other connections	

### PRESSURE

- Maximum Inlet Pressure – 400 mb.
- Nominal Outlet Pressure – 21 mb.  $\pm$  10% (19 to 23 mb.)

## (AENOR) Spanish Standards Association. CERTIFICATE OF PRODUCT N° 053/000121

### CHARACTERISTICS

Inlet Pressure: from 25 up to 400 mbar.

Outlet Pressure: 21 or 27 mbar in G.N. (37,5 mbar in G.L.P.)

Nominal Caudal: 6 m<sup>3</sup>(n)/h of Gas

**Is possible with or without safety valve: 12,5 mbar.**

### OBSERVATIONS

The regulator maintains the outlet pressure on 21 mbar  $\pm$  10% (37,5 mbar.  $\pm$  10% in G.L.P.) for inlet pressures between 25 and 400 mbar. Is possible it has a safety valve which in initially off. Automatically rearmament takes place when service pressure is achieved being consumption points off.

Rearmament does not take place when consumption points are on. In this case there is a flow of gas of about 6,4 l/h, in accordance with law.

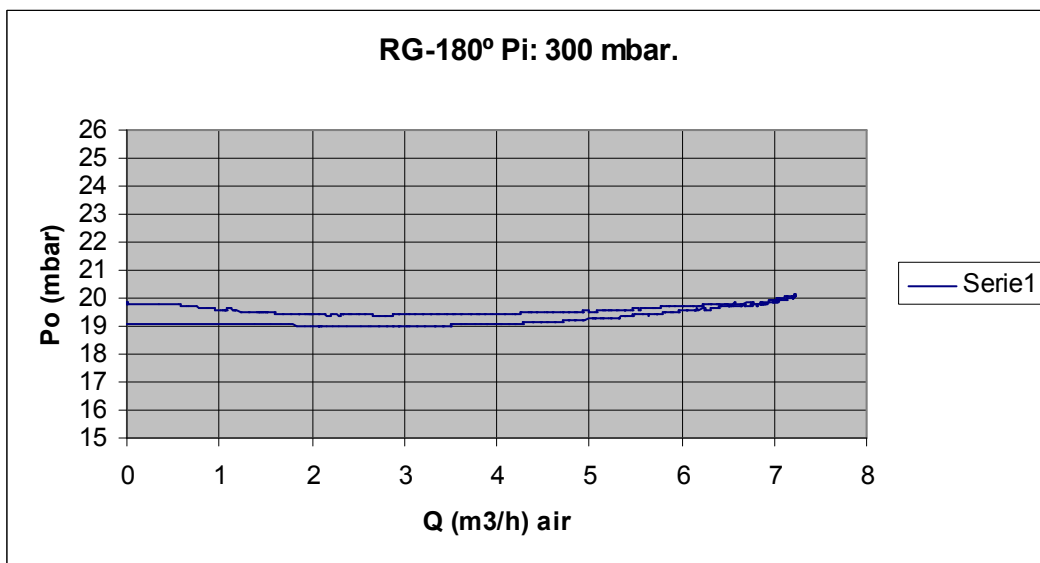
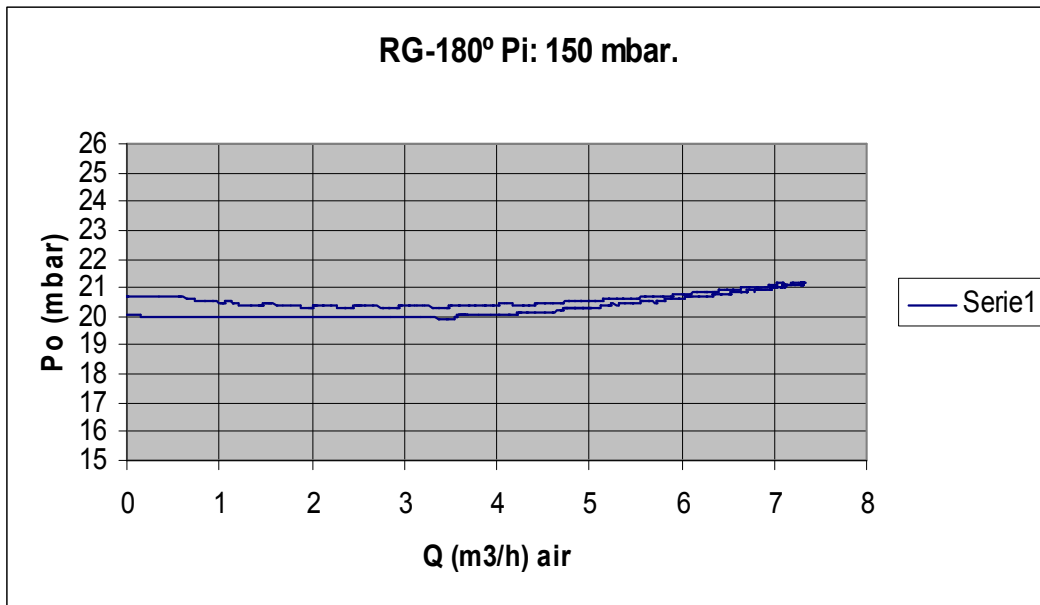
The safety valve works stopping gas from flowing when outlet pressure drops under 15 mbar either because of an over consumption or a decrease on the inlet pressure.

Rearmament time will depend on the volume of the installation from the regulator onwards.

Test will only be done by using either gas or air.

The test to determine overpressure closure at nil caudal will be executed after having gas flowing at nominal inwards pressure for at least 10 second before progressively turning off to use. The maximum admissible over pressure is of 29 mbar. (UNE 60402 - 9.3).

## GRAPHICS



## IMPORTANT WARNING

Do not manipulate the cap seal.

The regulator must not be submitted to pressures over 500 mbar.

**RECGAS, S.L.L.**

**Alonsotegi Elkartegia, mod. 12**

**48810 ALONSOTEGI (BIZKAIA) - SPAIN**

Tf.: (+34) 944982043 Fax: (+34) 944982147 e.mail: [recgas@recgas.com](mailto:recgas@recgas.com) web: [www.recgas.com](http://www.recgas.com)