

REGULATOR

RG180 MM1/2 PO.37MBAR

7,2KG/H UPSO (MANUAL)

CODE 200209

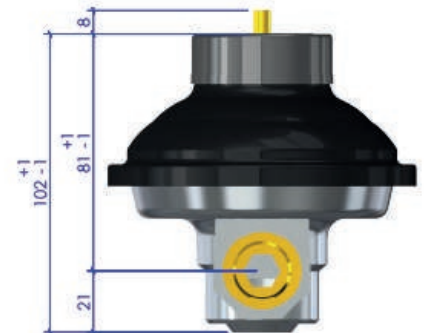
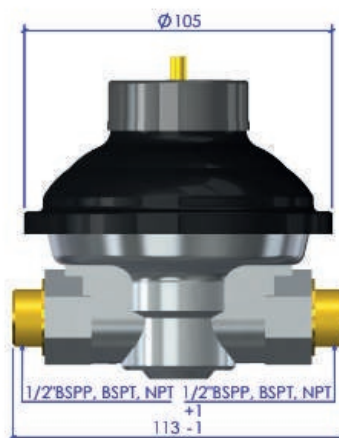
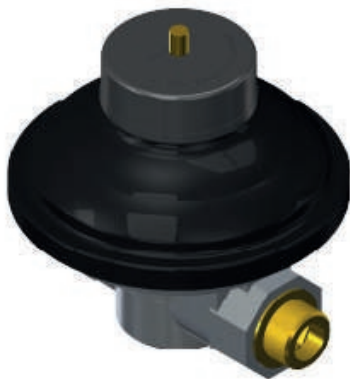
With an inlet pressure between 50 and 500mbar, the regulator maintains the outlet pressure between 34 and 40mbar for flow rates between 0.5 and 7.2Kg/h.

FEATURES

- Inlet pressure: 50-500mbar
- Output pressure: 34-40mbar
- Securities: UPSO (27mbar) manual reset
- Nominal flow rate: 7.2kg/h
- Pressure tapping: -
- Connections: MM1/2
- Disposition: 180°
- Conduction for venting: -



DIMENSIONS



MATERIALS

- Membranes joined in NBR resistant to Gasified Petroleum Gas (LPG), Liquefied Gas (LPG) and Natural Gas (BNG)
- Slip on end body
- Cap and end body reinforced
- Cathodic protection for resistance to corrosion
- Galvanized steel spring
- Reinforced steel plate with PAW and fiber glass and acetabular (PA/POM)
- Stainless steel fitting
- Manufactured in the EU

COMPLIANCE WITH STANDARDS



AENOR is an official body accredited with the EN ISO 9001:2015 standard



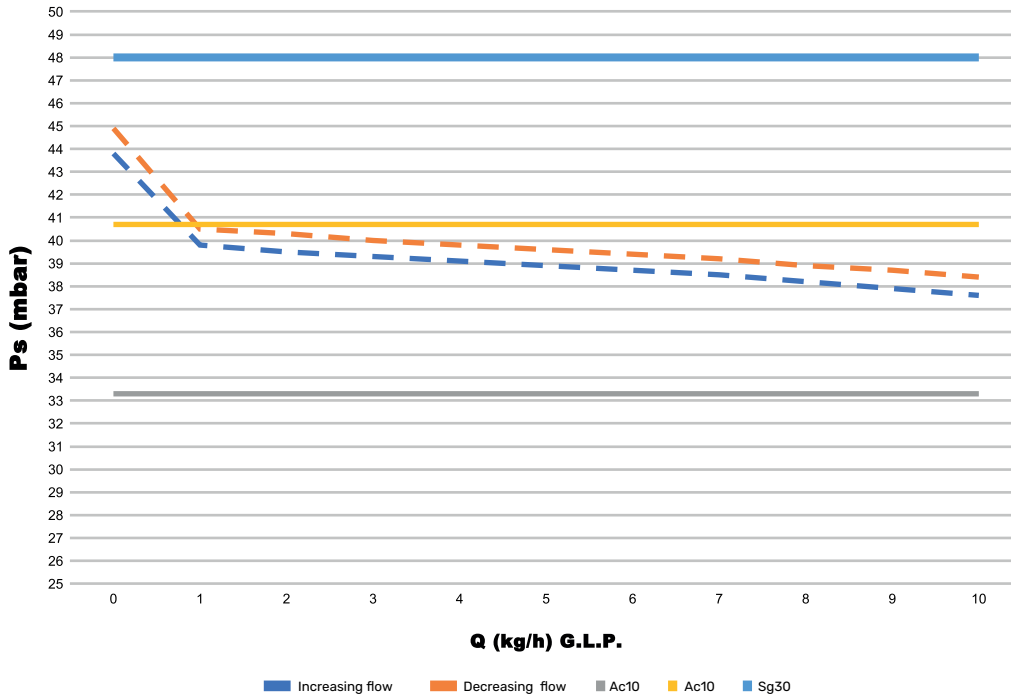
Certified according to 88-1:2011 + A1:2016, EN 13611:2019 and EN 13611:2019/AC:2021

INSTALLATION AND MAINTENANCE

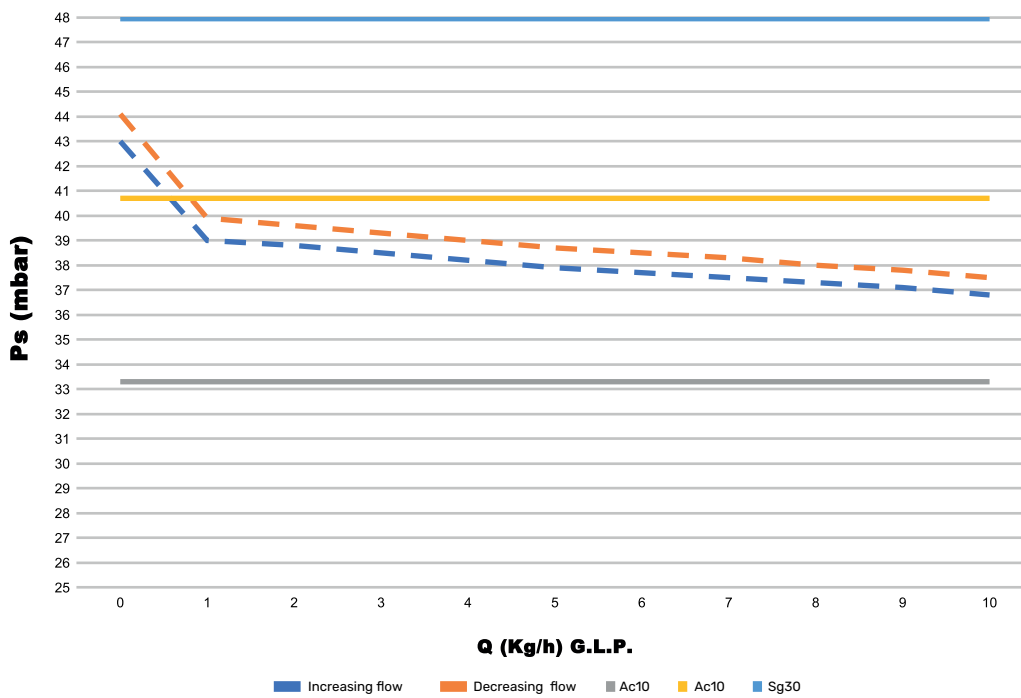
- ✓ Check the inlet pressure. It must not exceed 500 mbar.
- ✓ The regulator must be installed in a dry and well-ventilated place.
- ✓ Once the regulator is installed, it is possible to generate leaks at the gas inlet connection.
- ✓ With the regulator properly installed, it is possible to regulate the gas flow.
- ✓ The regulator is equipped with a safety valve that will prevent the flow of gas if the pressure exceeds the set point.
- ✓ The regulator is equipped with a safety valve that will prevent the flow of gas if the pressure exceeds the set point.
- ✓ The regulator is equipped with a safety valve that will prevent the flow of gas if the pressure exceeds the set point.

BEHAVIOURAL CURVES

Pe: 50mbar



Pe: 200mbar



BEHAVIOURAL CURVES

