

## SECURITY VALVE

### RC-T-B 12m<sup>3</sup>/h

#### CODE 600012

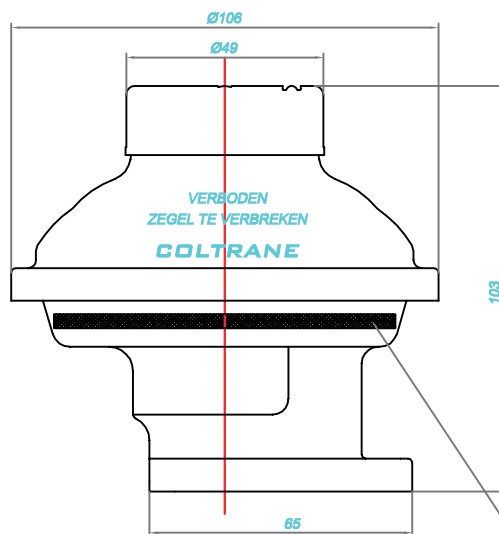
With an inlet pressure of 22mbar, the safety valve acts by shutting of the gas flow when the outlet pressure drops below 17mbar.

## FEATURES

- **Inlet Pressure:** Up to 500mbar
- **Securities:** UPSO (17mbar)
- **Nominal flow rate:** 12m<sup>3</sup>/h
- **Pressure tapping:** -
- **Connections:** Gasmeterbracket
- **Disposition:** TRIANGLE
- **Conduction for venting:** -



## DIMENSIONS



Coltrane, B-Klep, RC-T-B, Pnom 25mbar, P0 15mbar, Q-max 6 m<sup>3</sup>/h lucht - 7,5 m<sup>3</sup>/h aerigas, Batch DD/MM/YY GascorQA

## MATERIALS

---

- Membranes and seals, in NBR resistant to Liquefied Petroleum Gas (LPG), Natural Gas (NG) and Synthetic Natural Gas (SNG).
- Aluminum body
- Galvanized steel cover
- Cataphoresis treatment with high resistance on cover and body
- Galvanized steel springs
- Non-metallic internal parts, in PA with fiberglass and acetal resin (POM)
- Stainless steel filter
- Manufactured in the EU

## COMPLIANCE WITH STANDARDS

---



AENOR certificate in accordance with the UNE 60403:2005/2M:2013 standard.

## INSTALLATION AND COMMISSIONING

---

- ✓ Check inlet pressure. It must not exceed 500mbar.
- ✓ Position the valve in relation to the gas flow. See flow arrow on the bottom of the valve.
- ✓ Once the valve is in place, check that there are no leaks at the valve connections.
- ✓ With all consumption points downstream of the valve closed, open the gas cock upstream of the valve.
- ✓ If the valve is fitted with automatic VIS MIN, wait a few seconds (approx. 15-20) until the VIS is reset.
- ✓ In case of manual VIS MIN, act on the reset device on the valve (by pulling it) for about 2 seconds.
- ✓ The valve will start to operate when there is any demand for consumption.