

SECURITY VALVE

RG180 OPSO (300mbar) MM3/4 (manual) 12m³/h

CODE 600008

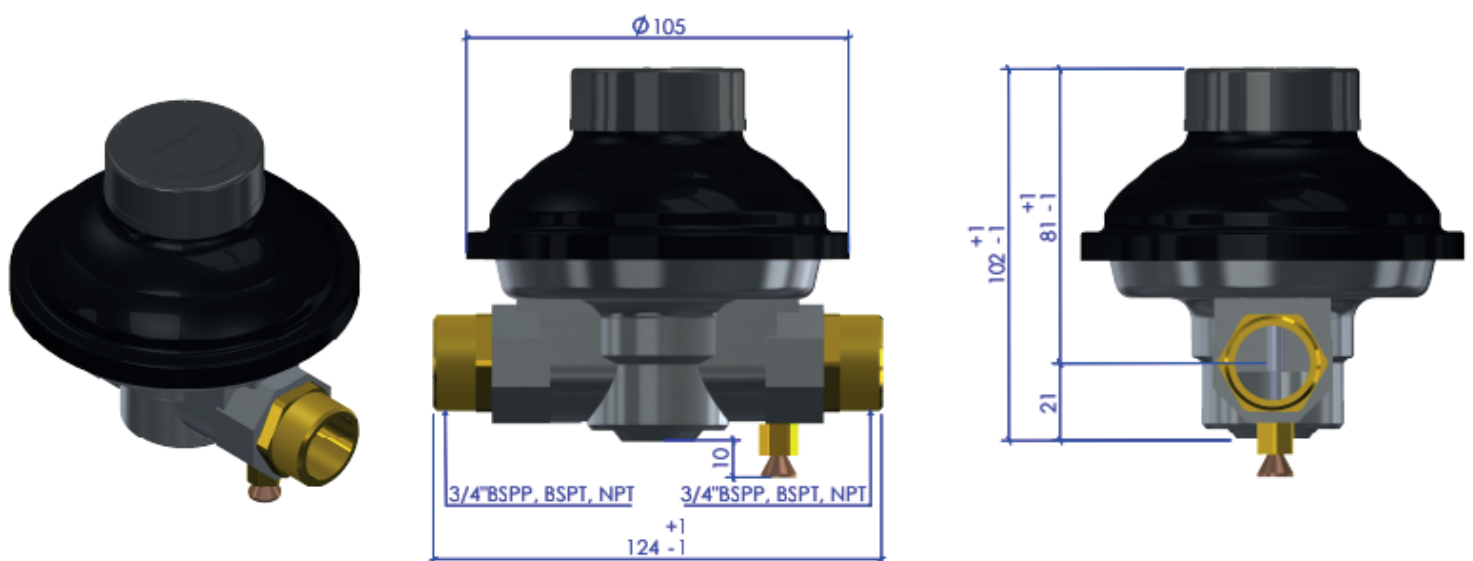
With an inlet pressure of 22mbar, the safety valve acts by shutting of the gas flow when the outlet pressure exceeds 300mbar.

FEATURES

- Inlet Pressure: Up to 500mbar
- Securities: OPSO (300mbar) manual reset
- Nominal flow rate: 12m³/h
- Pressure tapping: -
- Connections: MM3/4
- Disposition: 180°
- Conduction for venting: -



DIMENSIONS



- Diaphragms and seals, in NBR resistant to Liquefied Petroleum Gas (LPG), Natural Gas (NG) and Synthetic Natural Gas (SNG)
- Aluminium body
- Galvanised steel cover
- High resistance cataphoresis treatment on cover and body
- Springs in galvanised steel
- Non-metallic internal parts, in PA with fibreglass and acetal resin (POM)
- Stainless steel filter
- Made in the EU

INSTALLATION AND COMMISSIONING

- ✓ Check inlet pressure. It must not exceed 500mbar.
- ✓ Position the valve in relation to the gas flow. See flow arrow on the bottom of the valve.
- ✓ Once the valve is in place, check that there are no leaks at the valve connections.
- ✓ With all consumption points downstream of the valve closed, open the gas cock upstream of the valve.
- ✓ Act on the reset device on the valve by pushing on it for about 2 seconds.