

## LEFT ANGLE GAS FILTER LN3/4XLN3/4 CODE 400016

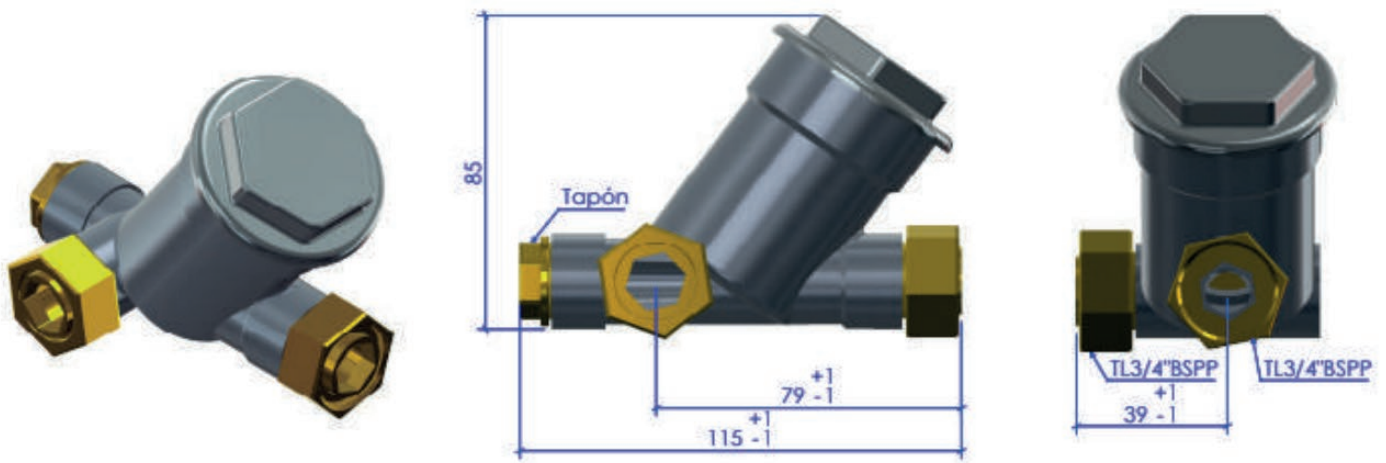
Filter designed to retain particles larger than 5 microns.  
Supplied with a single filter element, this can be replaced or cleaned safely and easily.

### FEATURES

- **Inlet Pressure:** Up to 10bar
- **Securities:** Greater than 5 microns
- **Nominal flow rate:** 25m<sup>3</sup>/h
- **Connections:** LN3/4xLN3/4
- **Disposition:** 90°



### DIMENSIONS



## MATERIALS

---

- Die-cast aluminium body
- Galvanised steel cover
- Galvanised steel springs
- Cartridge with 5 micron filtration

## COMPLIANCE WITH STANDARDS

---

In accordance with the UNE 60404 standard for control cabinets up to 25m<sup>3</sup>/h.

## INSTALLATION AND COMMISSIONING

---

- ✓ Check the inlet pressure. It must not be higher than 10bar.
- ✓ Fit the filter respecting the gas flow. See flow arrow on the bottom of the filter.
- ✓ Once the filter is in place, open the tap before the filter, checking that there are no gas leaks in the filter connections.
- ✓ It is recommended to clean the filter cartridge after one year of operation.
- ✓ It is recommended to replace the filter cartridge after two years of operation.

## SPARE PARTS

---



Filter cartridge consisting of an inner spring made of galvanised steel supporting an outer structure of pleated filter paper and two zinc-plated steel covers glued with a petroleum derivative resistant adhesive.