

LINE GAS FILTER LN3/4XLN3/4 CODE 400014

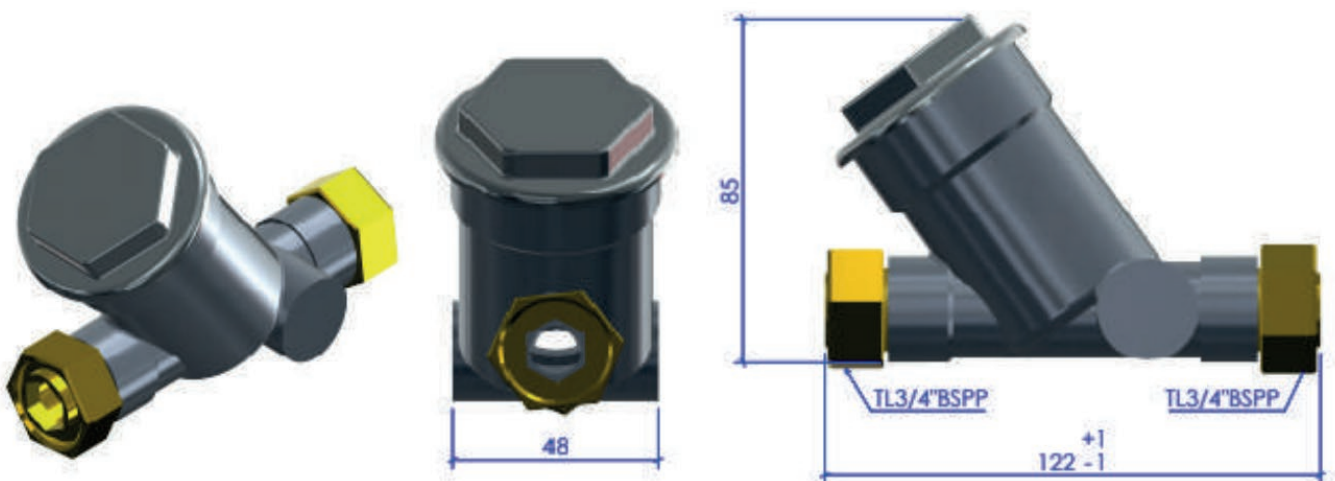
Filter designed to retain particles larger than 5 microns.
Supplied with a single filter element, this can be replaced or cleaned safely and easily.

FEATURES

- **Inlet Pressure:** Up to 10bar
- **Securities:** Greater than 5 microns
- **Nominal flow rate:** 25m³/h
- **Connections:** LN3/4xLN3/4
- **Disposition:** 180°



DIMENSIONS



MATERIALS

- Die-cast aluminium body
- Galvanised steel cover
- Galvanised steel springs
- Cartridge with 5 micron filtration

COMPLIANCE WITH STANDARDS

In accordance with the UNE 60404 standard for control cabinets up to 25m³/h.

INSTALLATION AND COMMISSIONING

- ✓ Check the inlet pressure. It must not be higher than 10bar.
- ✓ Fit the filter respecting the gas flow. See flow arrow on the bottom of the filter.
- ✓ Once the filter is in place, open the tap before the filter, checking that there are no gas leaks in the filter connections.
- ✓ It is recommended to clean the filter cartridge after one year of operation.
- ✓ It is recommended to replace the filter cartridge after two years of operation.

SPARE PARTS



Filter cartridge consisting of an inner spring made of galvanised steel supporting an outer structure of pleated filter paper and two zinc-plated steel covers glued with a petroleum derivative resistant adhesive.